

Scania R450

GENERAL INFORMATION

Make	Scania
Type	R450
Year	2021
Mileage	539.378 km
Construction	BDF System
Emissionclass	6

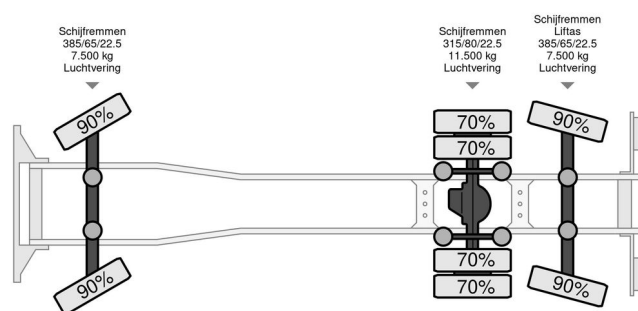
TECHNICAL INFORMATION

First registration date	13-10-2021
Fuel	Diesel
Transmission	Automatic
Axle configuration	6x2
Weight	9.755 kg
Power kw	331
Power hp	450
Wheelbase	475



Scania R450 R450

6x2



ACCESSORIES

- Air conditioning
- Air suspension
- Air suspension all around
- Air Suspension Seats
- Air suspension system
- Aluminium fuel tank
- Anti-lock braking system
- Anti-lock braking system
- Automatic
- Central locking
- Climate control
- Cruise control
- Disc brakes
- EBS
- Electrically operated windows
- Heated Mirrors
- Lane Assist
- Led lighting
- Liftaxle
- Line detection
- Low-noise
- Onboard Computer
- Parkassist
- Passenger seat
- Refrigerator
- Remote control
- Retarder
- Roof spoiler
- Side door
- Sleeper cab
- Speed limiter
- Spoilers
- Spotlights
- Trailer coupling
- Vehicle heater

DESCRIPTION